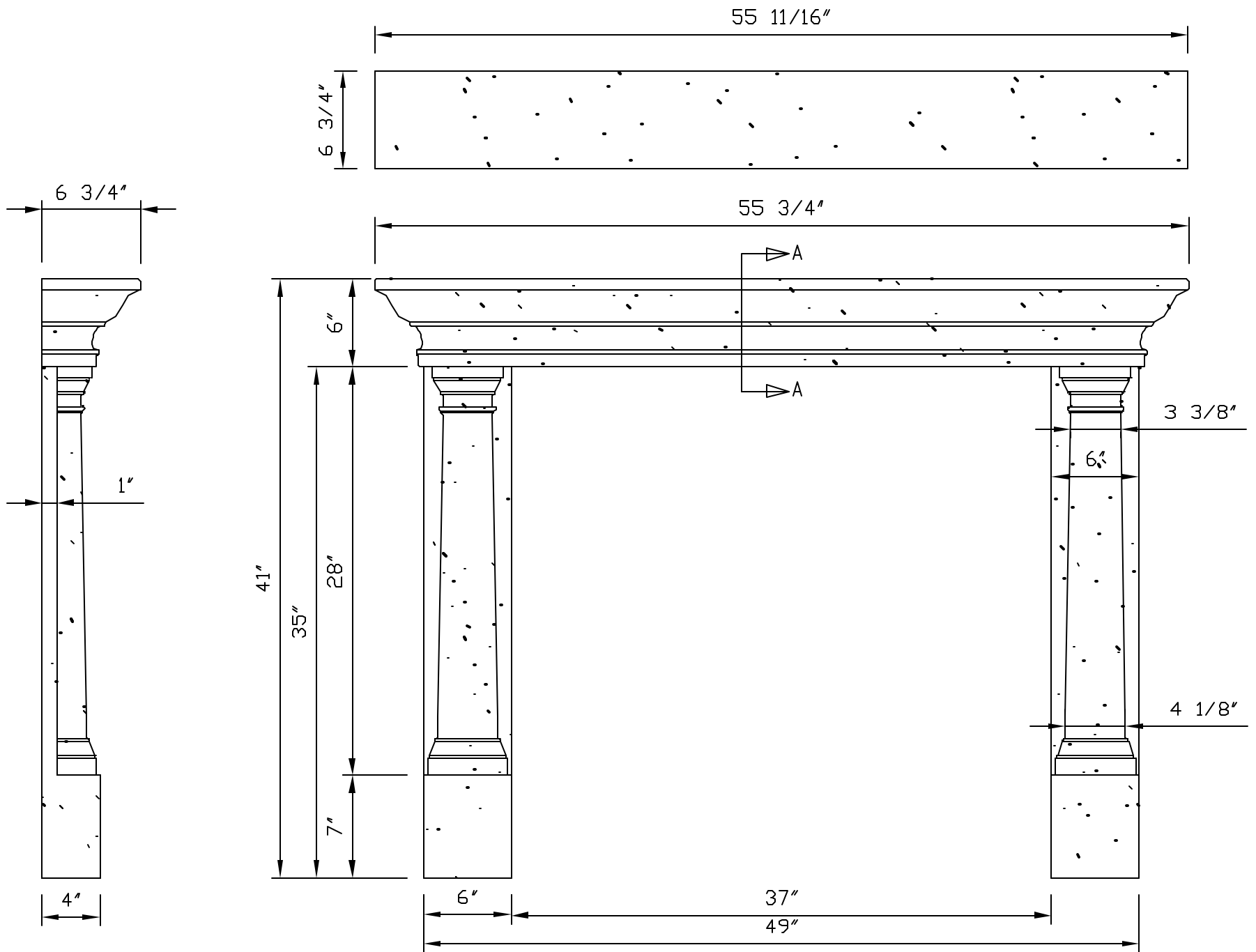




Rapture 4139-TC Noncombustible Fireplace Mantel Fact Sheet

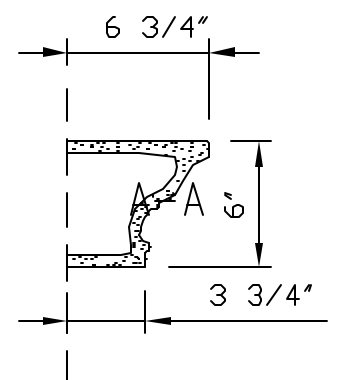


FEATURES AND SPECIFICATIONS

Material meets the requirements for non-combustibility in accordance with ASTM E-136

- High definition, crisp details
- Adjustable height
- Fast, easy installation
- Material is sealed from the factory and requires no further finishing

- Supplied in 3 pieces
- Net weights:
 - Complete mantel: 50 lbs
 - Mantel top: 30 lbs
 - Each mantel leg: 10 lbs
- Crated weight: 65 lbs



All dimensions & weights are approximate

DO NOT SCALE

Tel: 1-800-865-3454

Copyright (c) 2006 Architectural Moldings Ltd.
Information contained in this drawing shall not be copied or used without the express permission of Architectural Moldings Ltd.

Fax: 1-800-461-4445

Date: July 25, 2006

<http://www.balmer.com/facts/4139tc.pdf>