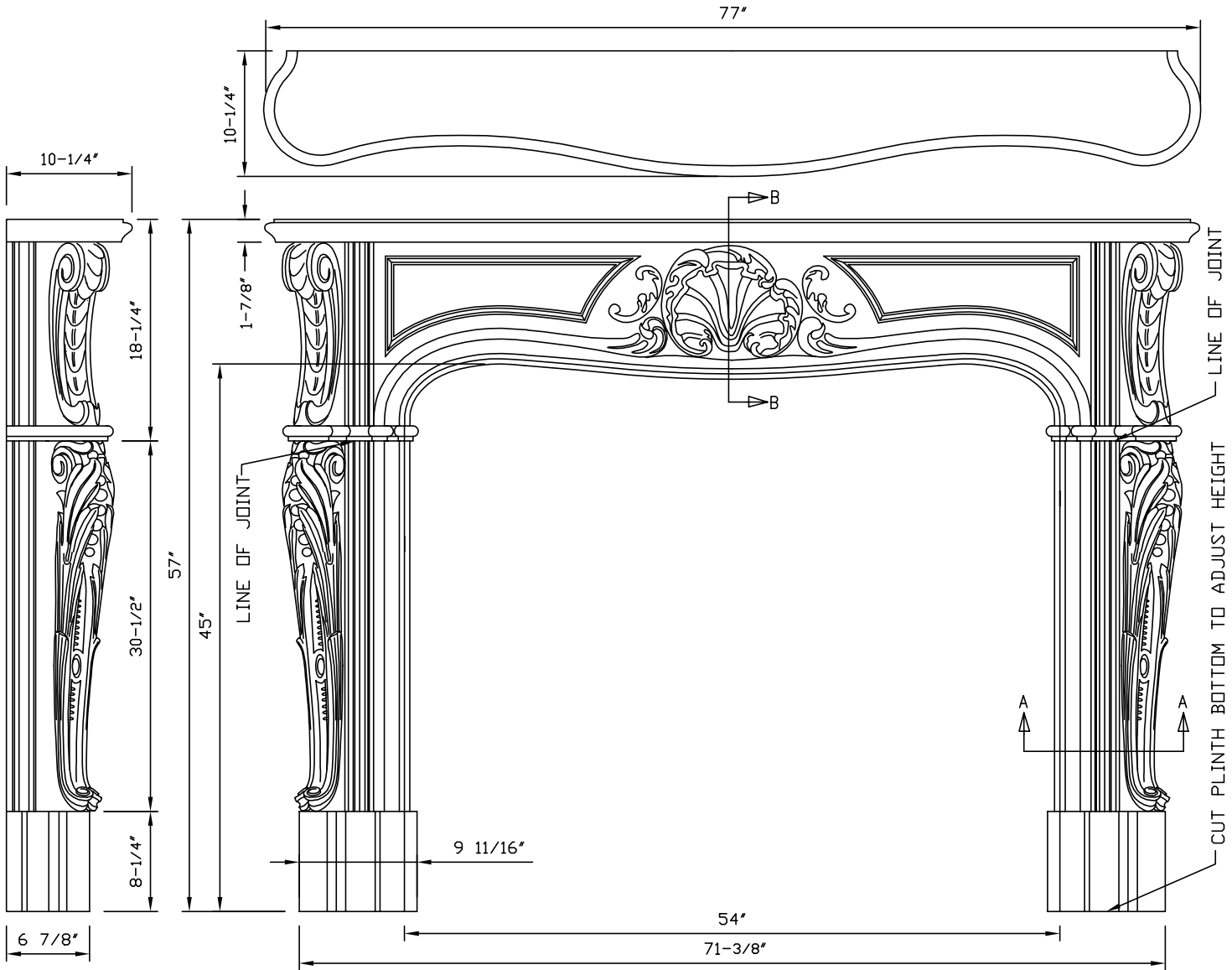
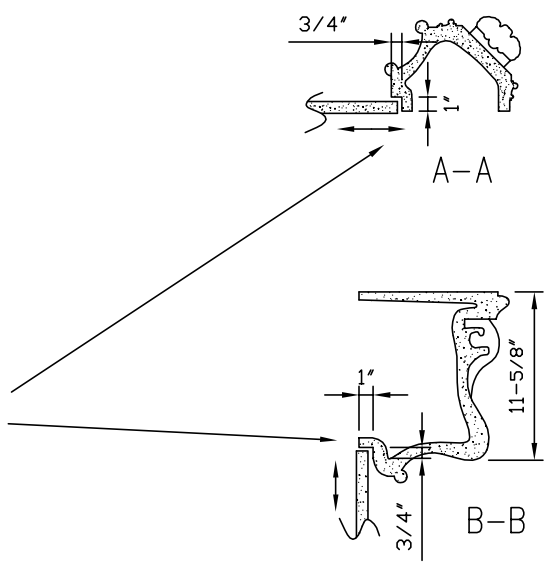


Louis XV 4101
Noncombustible Fireplace Mantel Fact Sheet



FEATURES AND SPECIFICATIONS

- Material meets the requirements for non-combustibility in accordance with ASTM E-136
- High definition, crisp details
 - Adjustable height
 - Fast, easy installation
 - Glass fibre reinforced gypsum cement
 - White unprimed finish
 - Ready to prime and paint
 - Supplied in 3 pieces
- Net weights:
- Complete mantel: 186 lbs
 - Mantel top: 110 lbs
 - Each mantel leg: 38 lbs
- Crated qty per unit: 2
 - Crated weight #1: 180 lbs
 - Crated weight #2: 115 lbs
 - 3/4" wide X 1" deep rabbet to accommodate a marble, stone or other noncombustible filler panel material insert (not supplied with mantel)



All dimensions & weights are approximate

DO NOT SCALE

Copyright (c) 2004 Architectural Mouldings Ltd.
Information contained in this drawing shall not be copied or used without the express permission of Architectural Mouldings Ltd.

Date: Mar. 1, 2004